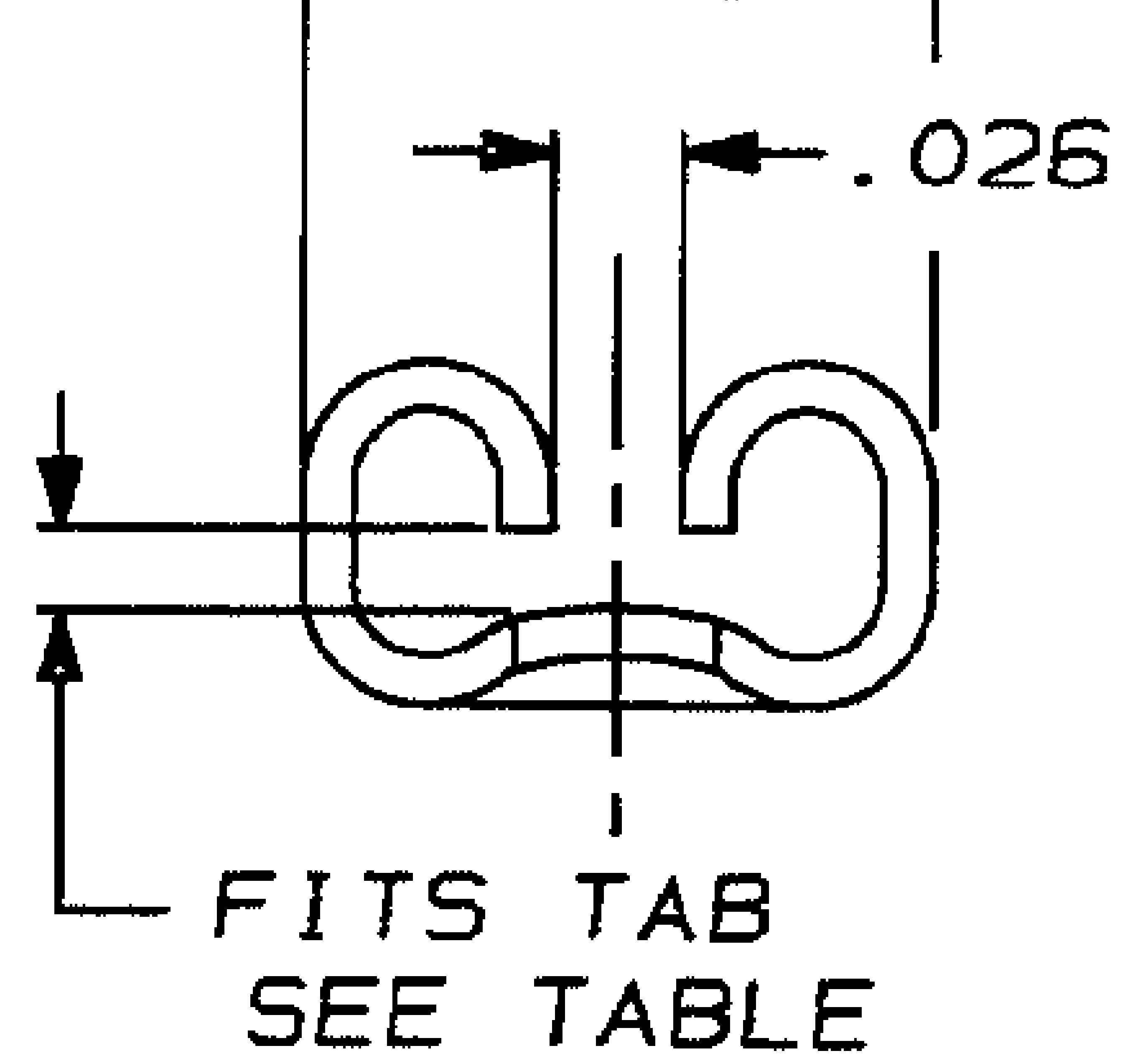
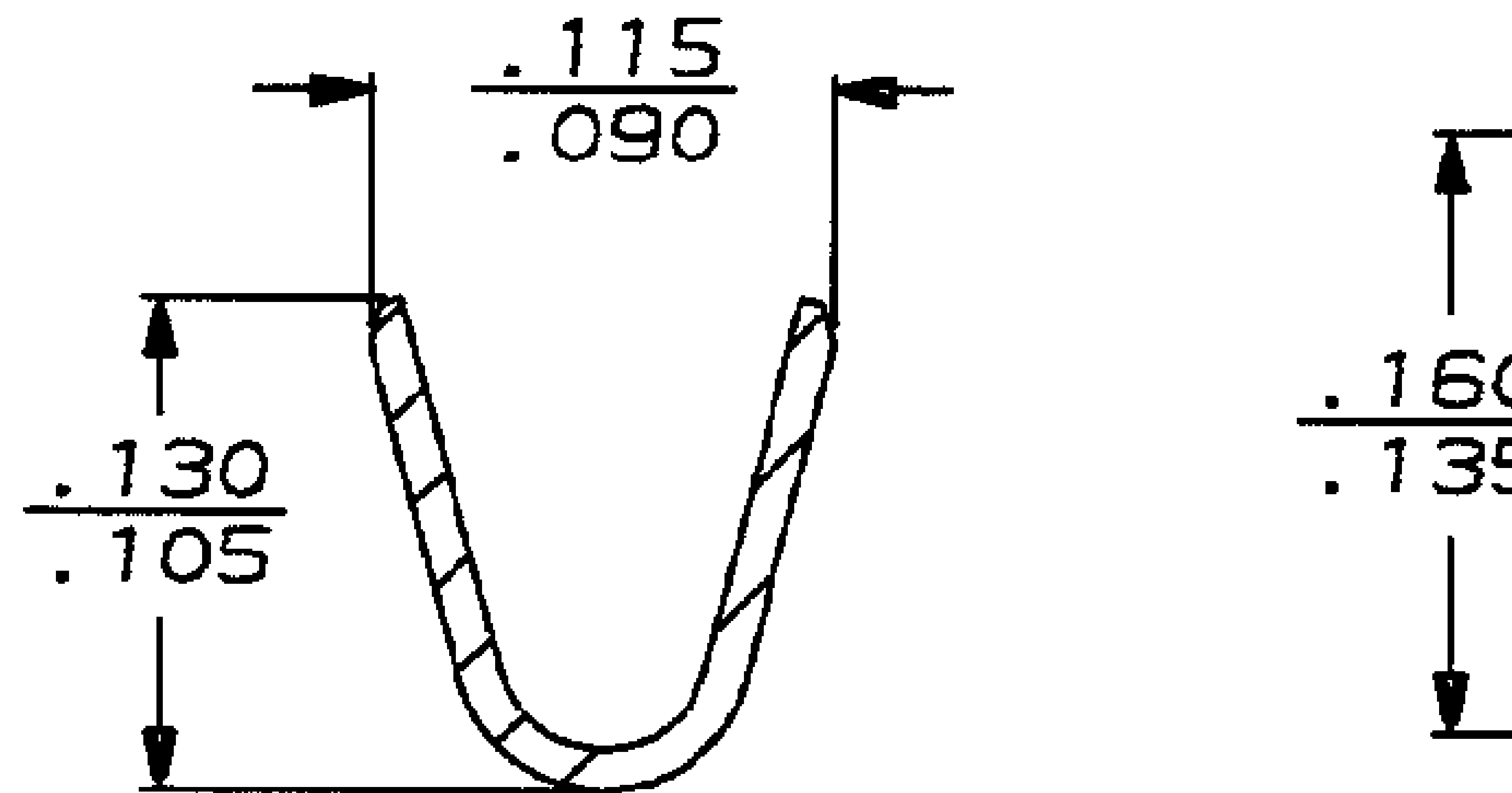
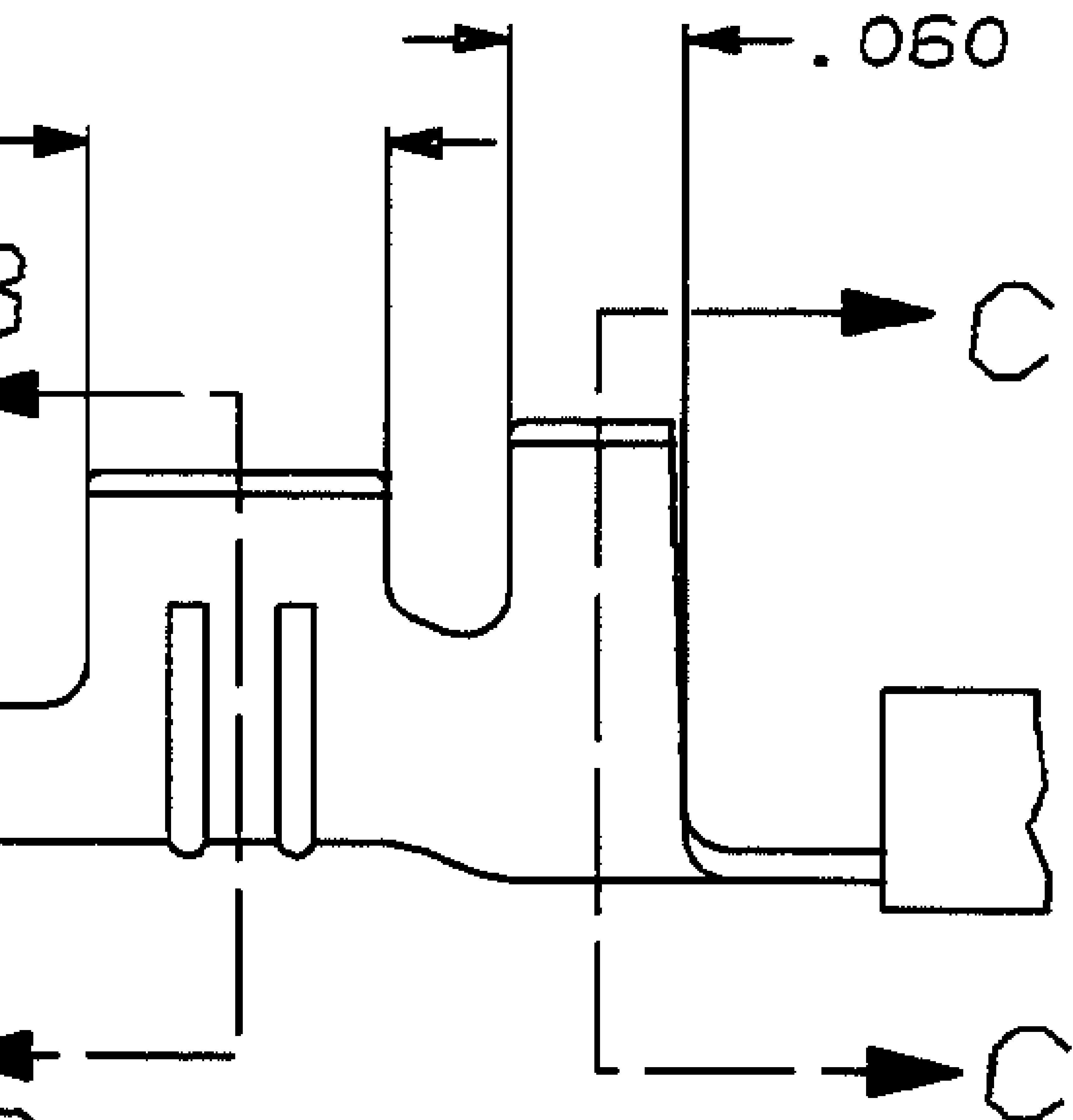


1/16 DIA DIMPLE



FITS TAB
SEE TABLE
VIEW A-A
SCALE 10:1



SECTION B-B
SCALE 10:1

.080-.120	22-18
INSUL RANGE	WIRE SIZE
DO NOT SCALE PRINT. UNLESS SPECIFIED DIMENSIONS ARE IN INCHES TOLERANCES ON: 2 PL C DEC + .	DR 12/10/92 JR RUTH
	CHK 12/10/92 MS FEHER